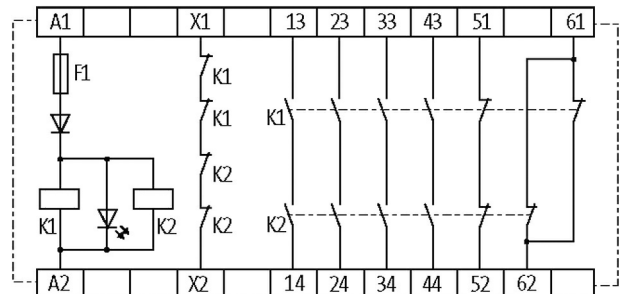
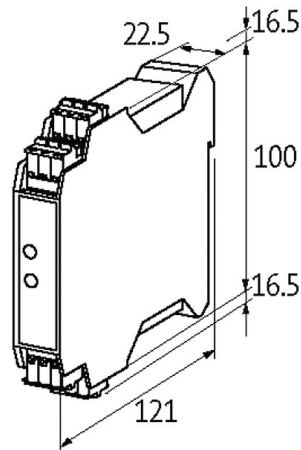
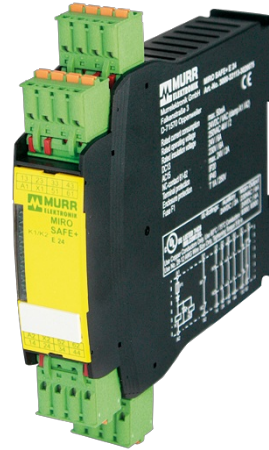


MIRO SAFE+ E 24

24 VAC/DC - 4 N/O contact / 2 N/C contact

6 A
Expansion modules

Illustration



Product may differ from Image

Approvals

**Input**

Input voltage	24 V DC (-15 +20%), 24 V AC (-15 +10%)
Input current	max. 1.0 VA

Output

Switching voltage	max. 250 V AC/DC
Switching current per output	max. 6 A
No. of auxiliary contacts	2 - (51-52); (61-62)
No. of alarm outputs	0
No. of contacts	4 - (13-14); (23-24); (33-34); (43-44)
Contact material	Ag Sn O, self cleaning, positively driven

Utilization category

Safety contacts (STOP 0)	max. 250 V AC/6 A; min. 10 V AC/10 mA (resist./ind.), at suitable suppression
AC-15	6 A (230 V AC)
DC-13	6 A (24 V DC)

General data

Mech./ elect. life	10 000 000 switching cycles/load dependent
Connection	Spring clamp plug-in terminals
Mounting method	DIN-rail mountable (EN 60715)
Dimensions H×W×D	100×22.5×121 mm
Temperature range	-25...+45 °C (storage temperature -40...+85 °C)

Safety Indicators

PL	up to e
Category	up to 4
SIL	up to 3
Service life	20 years

Commercial data

country of origin	DE
customs tariff number	85364900
EAN	4048879367622
eClass	27371819
Packaging unit	1